



22262 Cuttler Road • New Caney, TX 77357 • *ph* 281-354-3699 • *fx* 281-354-4475
www.PathwayControl.com

885 and 992 Series Valve Position Indicators

Application

These devices can close a switch when a valve opens or closes. Use on a diaphragm or piston type valve actuator to indicate an open or closed valve position.

Operation

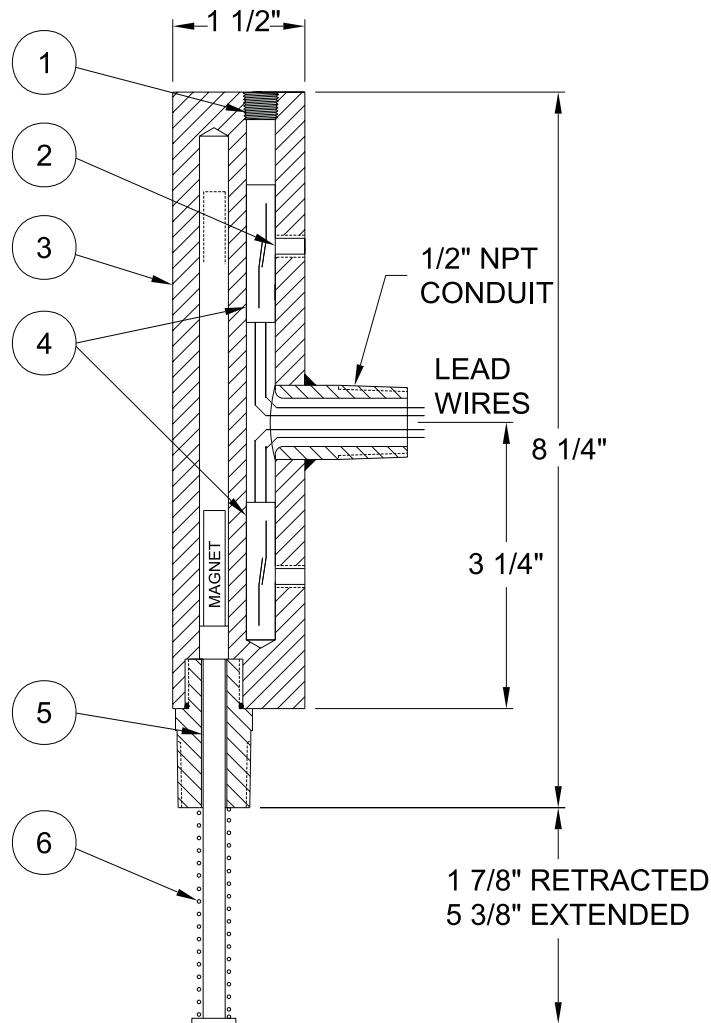
A spring loaded stem rides on the valve actuator. The 885 Series contains micro switches. The 992 Series uses magnetically operated Reed switches. Travel of the valve is monitored by adjusting the switches to indicate a valve open or valve closed position. As the valve actuator moves, the stem follows, causing the switches to operate at the desired point in travel; normally, when the valve is totally open or closed.

Features

- Adjustable for various valve stroke lengths.
- Explosion proof switch enclosure.
- Various adapters available to mount on different actuators.
- Stainless steel body on 992 Series.



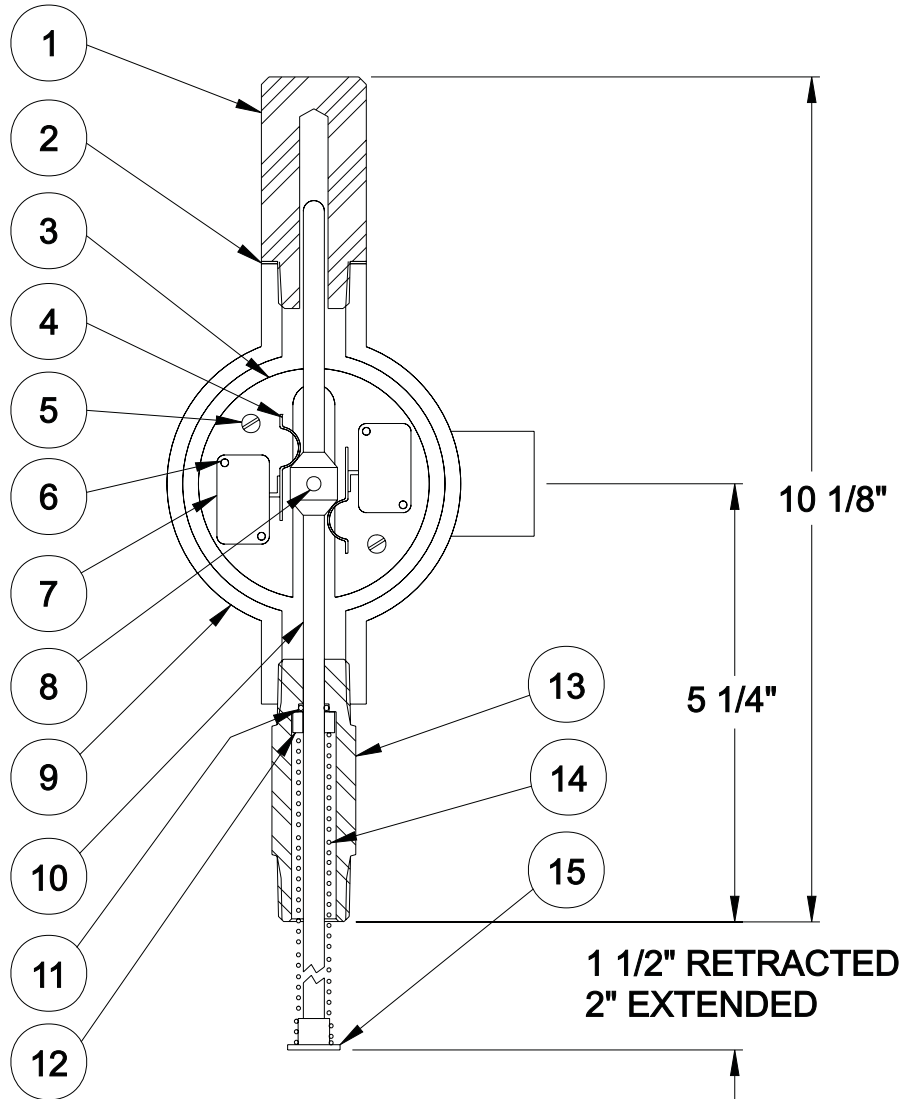
**885 and 992 Series
Valve Position Indicators**



Model 992-01-01

Item	Part #	Description	Material	Qty
1.....	10241	Pipe Plug.....	18-8 ss	1
2.....	10196	Set Screw.....	18-8 ss	2
3.....	30106	Body.....	303 ss.....	1
4.....	20412	Switch Cartridge.....	Sealed	2
5.....	20411	Magnet Arm.....	18-8 ss	1
6.....	10039	Spring.....	316 ss.....	1

885 and 992 Series Valve Position Indicators



Model 885-01-01

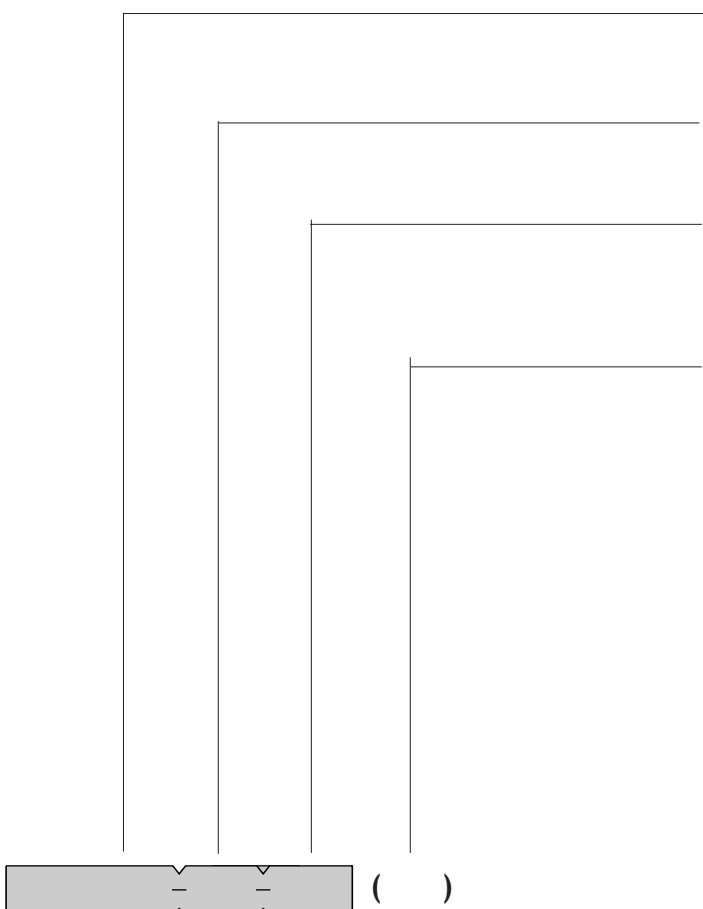
Item	Part #	Description	Material	Qty
1.....	20242	Position Indicator	Plexiglass	1
2.....	10088	Gasket	Nitrile	1
3.....	20651	Switch Plate	Aluminum	1
4.....	10091	Insulating Pad	Fiber	1
4.....	20652	Switch Actuator	Brass	1
5.....	10551	Round Head Machine Screw	18-8 ss	2
6.....	10187	Round Head Machine Screw	Plated	4
7.....	10232	Mirco-Switch & Actuator	Plastic/Plated	2
8.....	10192	Set Screw	Plated	1
9.....	20837	Enclosure	Cast Iron Alloy	1
10.....	20654	Stem	303 ss	1
11.....	10105	O-Ring	Nitrile	1
12.....	20656	Seal Retainer	Brass	1
13.....	20655	Adapter	Brass	1
14.....	10058	Spring	316 ss	1
15.....	20653	Spring Retainer	303 ss	1

885 and 992 Series Valve Position Indicators

Specifications

Series:	885 Series	992 Series
Temperature:	-20°F to +200°F	-40°F to +400°F
Switch Rating:	Two SPDT micro switches, 15 amps, 125 V AC	Two SPST Reed switches, 10 V.A. AC resistive
Connection:		
<i>Mounting:</i>	1/2" NPT standard	1/2" NPT standard
<i>Electrical:</i>	1/2" conduit	1/2" conduit
Material:		
<i>Body:</i>	Cast iron	Stainless steel
<i>Adaptor:</i>	Brass standard; ss available (adaptors available to fit on any piston or diaphragm operated valve)	Stainless steel
Travel:	Stem 1/2" standard; available to 1 1/2"	Magnet arm 2 1/2" std; available to 4"

Ordering Chart:




- Series:**
 885 - Valve position indicator with micro switches
 992 - Valve position indicator with Reed switches

- Type:**
 01 - Standard 1/2" NPT connection
 05 - Other (*specify requirements*)

- Other:**
 01 - Travel: standard
 03 - Travel: (*specify requirements*)
 05 - Options (*specify requirements*)

- Option Number:**
 () - Pathway will assign an option number based on specified requirements.

**Specify: distance from the mounting connection to the valve actuator. Valve open is 2.25". Valve closed is 3.5".*

 ()
Example: 992-01-05