

E200 Series – Extended Body Electric Level Control Switch

Application – High & Low Liquid Level Control; WP 1500 psig to 5000 psig

- Float-actuated Electric Switch for Level Control
- Provides Electric Switch input for control systems, alarms and other switch operations
- Use on production separators, heaters/treaters, scrubbers, liquid accumulators & process vessels
- 316 Stainless Steel construction for use with most Liquids or Liquid interfaces
- Low Specific Gravity of .5 and above
- Horizontal and Vertical Displacer options
- Extended Body provides increased reach inside vessel



Features and Benefits of the Pathway E200

- 316 SS wetted components for Durability and Corrosion Resistance
- Explosion Proof Certification by CSA to USA and Canada Standards
- Single Seal Application Approved
- Hermetically Sealed Reed Switch Cartridge to protect Integrity of Switch Contacts
- SPST and SPDT Switch Cartridges in Standard and Light Load Ratings
- No Internal Seal used thus eliminating the possibility of process fluid leakage
- Few Moving Parts for Reduced Maintenance and long term Performance
- Excellent Serviceability including Quick Replacement of Electric Switch Cartridge
- Displacer options for various Pressure, Specific Gravity and Interface applications
- Normally Open or Closed operation by simply inverting Level Control unit
- Relay Assembly in Explosion Proof enclosure for DPDT and Higher Amperage service

Specifications

Working Pressure:	1500 psig; available up to 5000 psig; 1500 psig with manual override
Temperature:	-40° F to +392° F
Specific Gravity:	0.4 minimum; interface 0.1 differential minimum
Switch Ratings:	<u>SPST and SPDT</u> 250V – 0.40A resistive, 120V – 0.83A resistive, 24V – 3.0A resistive; 3.0A maximum in-rush capability; 4 watts minimum for proper switching <u>SPST and SPDT Light Load</u> 150V – 0.17A resistive, 110V – 0.23A resistive, 24V – 1.0A resistive; 1.0A maximum in-rush capability; 0.1 watts minimum for switching
Materials:	316 Stainless Steel Wetted components; Hermetically sealed reed switch
Process Connection:	1½” NPT standard, 2” NPT, ring bolt on E200C, 3” flanged or larger
Electrical Connection:	½” NPT conduit
Certification:	CSA: Class I, Div. 1, Groups A, B, C, D; Class II, Div. 1, Groups E, F, G; Class III, Div. 1 to USA & Canada Standards; <i>(rating with relay enclosure Class I, Div. 1&2, Groups C,D; Class II, Div. 1, Groups E,F,G; Class II, Div. 2, Groups F,G; Class III)</i> CSA: Single Seal applications per ANSI/ISA 12.27.01-2003

E200 Extended Body Common Options

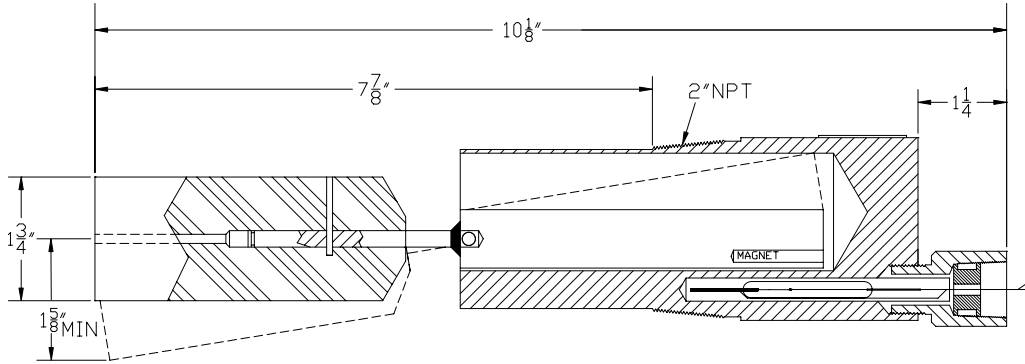
- Manual Override for Field Testing
- 316 SS and 304 SS flange
- SPST extended leads
- Float arm extensions
- Relay for DPDT and Higher Amperage
- Annulus plug for use with sediments

Benefits of ALL Pathway Control Products

- Personalized Service and Support expertise; Responsive, On-time Delivery
- Time-tested & proven design providing Dependable, Long-term Service

E200 Series – Extended Body Electric Level Control Switch

Dimensions:



Ordering Chart:

E200 Series: Electric Level Control Switch

E200C:

Ring Bolted External Cage; WP 1500 psig to 3000 psig (body style 0)

Body Style:

- 0 1½" NPT standard body; Ring Bolted on E200C (no manual override on ring bolt)
 - 1 2" NPT
 - 2 1½" NPT, manual override*
 - 3 Extended body, 2" NPT, vertical displacer (type 3 or 9)
 - 4 2" NPT, manual override*
 - 6 Extended body, 2" NPT, manual override*, vertical displacer (type 3 or 9)
 - 7 Extended body, 2" NPT, horizontal displacer (type 3 or 9)
 - 8 Extended body, 2" NPT manual override*, horizontal displacer (type 3 or 9)
- *WP 1500 psig on manual override

Displacer Type:

- 1 316 SS standard float, WP 1500 psig, 0.4 SG min (body style 0, 1, 2, 4)
- 2 Polypropylene high pressure displacer, WP 5000 psig standard, 3000 psig on E200C, +180° F max temp; 0.6 SG min (body style 0, 1, 2, 4)
- 3 Interface Polypropylene displacer, WP 5000 psig standard, 3000 psig on E200C, +180° F max temp; upper fluid < .870 SG, lower fluid > .970 SG
- 4 Customer defined SG for upper and lower fluid interface
- 9 Polypropylene high pressure displacer, WP up to 5000 psig, +180° F max temp, 0.5 SG min (extended body style 3, 6, 7, 8)

Switch selection:

- 0 SPST standard load
- 1 SPDT standard load
- 2 SPST light load
- 3 SPDT light load

Other:

- 0 No other options
- 2 Annulus plug
- 3 Relay assembly general purpose plug-in, 24VDC DPDT 12 Amp
- 4 Relay assembly general purpose plug-in, 120VAC DPDT 12 Amp
- 7 Relay assembly general purpose plug-in, 240VAC DPDT 12 Amp
- 8 Relay assembly hermetically sealed plug-in, 24VDC DPDT 12 Amp
- 9 Relay assembly hermetically sealed plug-in, 120VAC DPDT 12 Amp
- 5 Customer Specified Requirements (see E200 common options)

Option (#)

Assigned # for Customer Specific requirements

Example as Selected

**Example:
E200**

7

9

1

0

E200 - 79 - 10