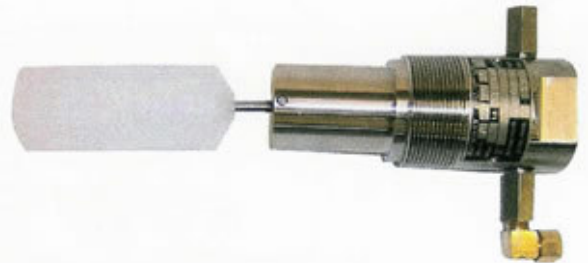


## P120 Series – Extended Body Snap Acting Non-Bleed Pneumatic Level Control Switches

**Application – High & Low Pressure Control; working pressure up to 5000 psi**

- Pneumatic float-actuated switch for High or Low Level control or to operate Control Valves
- Use on production separators, heaters/treaters, scrubbers, liquid accumulators & process
- Stainless Steel construction works with most Liquids or Liquid interfaces
- Direct mounting inside vessel
- Low Specific Gravity Operation of .5 and above
- Snap Acting Non-Bleed from 0 to full supply
- Extended body provides increased ability to reach inside of vessel



### Features

- Durability and Dependability in every component
- Standard 316 Stainless Steel wetted components for corrosion resistance
- Optional materials for added corrosion resistance as required
- Design ensures No Leakage of process fluids into the surrounding environment with no need for seals; all adding to Safety

### Specific Benefits of the Pathway P120

- Economical installation
- Direct-acting or Indirect-acting simply by altering the supply and exhaust connections
- Excellent Serviceability and Ease of Repair with Quick-change replacement parts
- Manual override option available for quick field testing of the unit

### Specifications

Output:	Snap Acting, Non-Bleed from 0 to Full Supply
Working Pressure:	Pressures up to 5000 psi
Supply Pressure:	30 psi standard; 60 psi and 100 psi available
Temperature:	-40° F to +450° F
Specific Gravity:	0.5 minimum; interface 0.1 differential minimum
Materials:	316 Stainless Steel Wetted components; optional materials available
Connections:	
Process:	2" NPT standard, 1 ½" NPT available, 3" flanged or larger
Supply & Output:	1/4" NPT

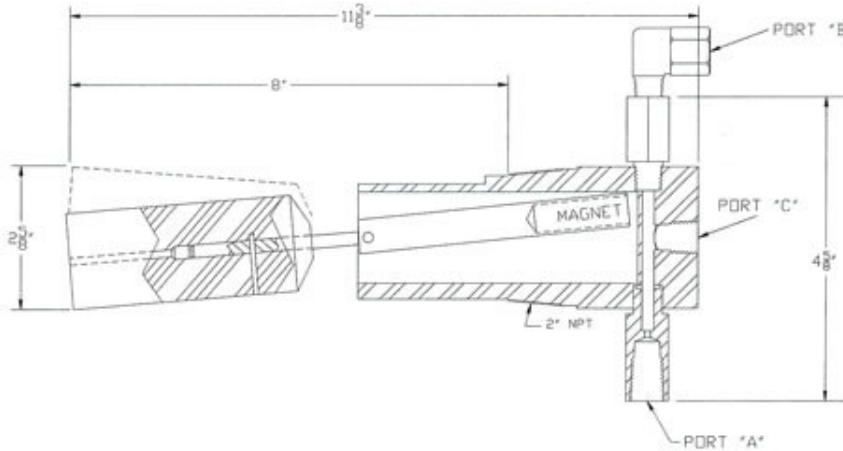
### Benefits of ALL Pathway Control Products

- Personalized service and support expertise
- Time-tested & proven design providing dependability and reliability in the field
- Custom applications welcomed to meet your needs
- Quality built in
- Responsive, On-time delivery

## P120 Series – Extended Body

### Snap Acting Non-Bleed Pneumatic Level Control Switches

**Specifications:** High & Low Pressure Control; working pressure up to 5000 psi



**Ordering Chart:**

P120 Series: Pneumatic Level Control Switch

P120C:

Body Style:

- 0
- 1
- 2
- 3
- 6
- 7
- 8

External cage added, ring bolted (body style 0)

Ring bolted, 1500 psi standard; 3000 psi on P120C (Type 2, 3)

2" NPT

2" NPT with manual override

Extended 2" NPT, vertical displacer (Type 3, 9)

Extended 2" NPT, manual override, vertical displacer (Type 3, 9)

Extended 2" NPT, horizontal displacer (Type 3, 9)

Extended 2" NPT, manual override, horizontal displacer (Type 3, 9)

Type:

- 1
- 2
- 3
- 4
- 9

Standard

High pressure 5000 psi polypropylene displacer, +180° F maximum temperature; specific gravity 0.6 min.

Interface, 5000 psi polypropylene displacer, +180° F maximum temperature, upper fluid less than .870 specific gravity; lower fluid more than .970 specific gravity

Customer to specify S.G. as needed for both upper and lower

High pressure 5000 psi polypropylene displacer, +180° F maximum temperature, specific gravity 0.5 minimum

Supply Pressure:

- 1
- 2
- 3

30 psi

60 psi

100 psi

Other:

- 0
- 2:
- 5:

No other options

Annulus plug

Customer Specified Requirements (such as flange size)

Option ( ):

Assigned based upon Customer Specific requirements

**Example as Selected**

**Example:**

**P120-**



**P120 - 79 - 10**